

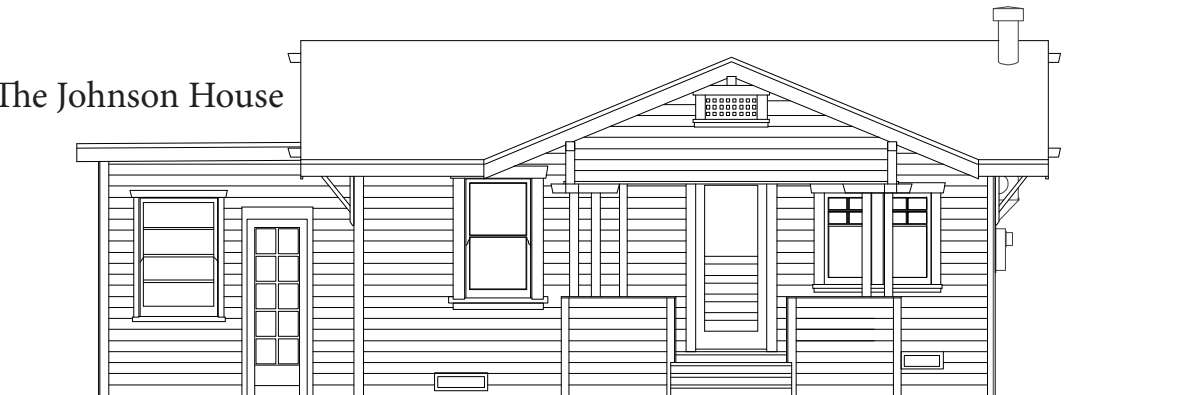
The Johnson House ~ A Southern California Craftsman



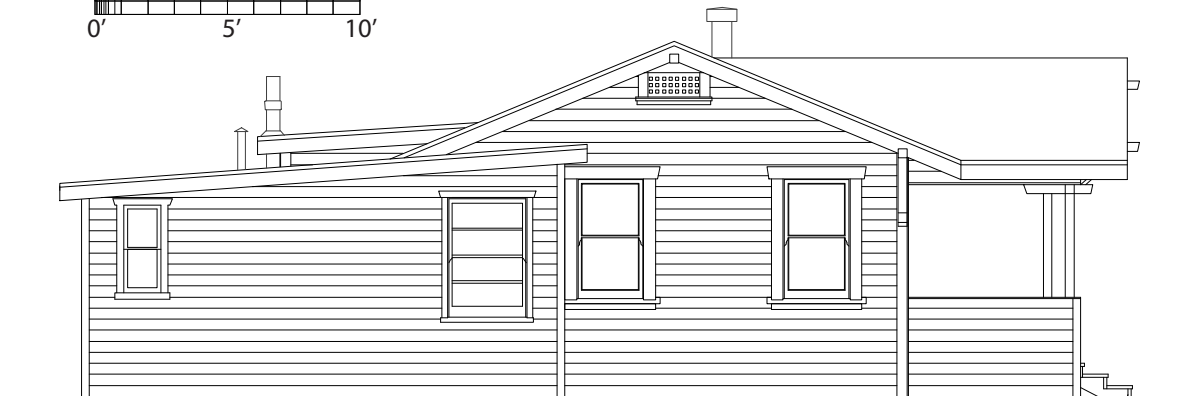
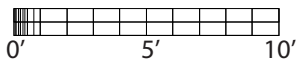
scale 1:87

tsndesign.com

The Johnson House



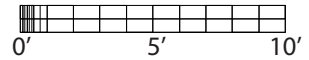
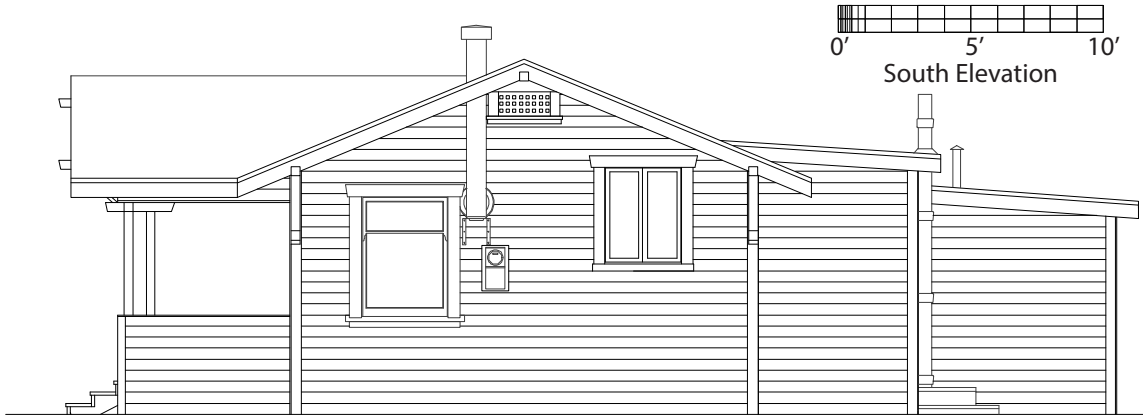
West Elevation



North Elevation



East Elevation

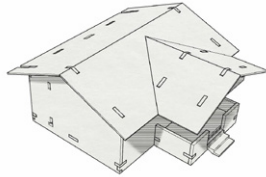


South Elevation

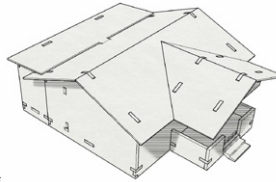
GENERAL NOTES

Decide upon an arrangement to build

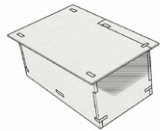
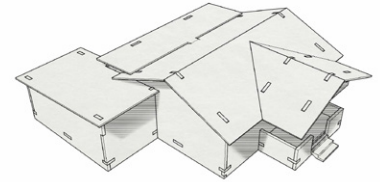
(A.) Basic House



(B.) Extended House



(C.) Extended House with Shed



Separate Shed



Note: acrylic parts and their corresponding paper siding are identified with a letter and a number:

F = floor W = wall P = porch R = roof
S = shed & E = extension.

The numbers are clockwise from above.

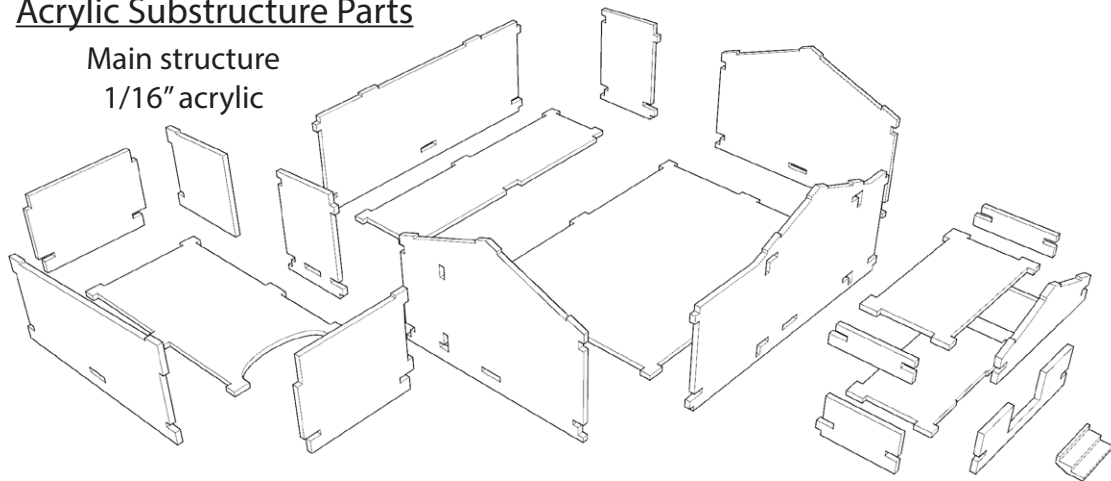
If you intend to add lighting, and wish to primer or paint the acrylic to avoid light leaking through the walls, the window and door glazing are protectively masked. This should be removed before attaching siding.

Masking has also been left on the attachment points for the porch and front gable, to facilitate gluing.

Please check included parts against those listed on pages 21 through 25.
If anything is missing let me know immediately at: tsn@tsndesign.com

Acrylic Substructure Parts

Main structure
1/16" acrylic



First, assemble the basic acrylic structure; keep the porch and its gable assembly separate.

Do not force acrylic tabs that are too tight. If necessary, adjust the fit with small files. Acrylic sheet varies considerably in thickness.

Position parts with a square and apply a solvent cement with a brush. I prefer to use Weldon #3 or #4 for gluing acrylic and styrene. If it is unavailable locally it can be found online. Other model cements may also work. Test if unsure.

Siding & Other Paper Parts

The laser cut wall siding and trim are Bristol vellum surface drawing paper. The shingles are made from cold press water color paper. Aside from the trim, these parts are backed with an adhesive film and attached to a backing sheet with small tabs. As needed, separate each piece from the backing sheet. Check for fit. Then remove the protective backing, carefully align the piece against the acrylic substructure, and then press the part into its final position.

Paper parts should be assembled on a day of average humidity and trimmed, if needed.

The front and rear walls are the same for all versions, as are the pieces on the front porch and its gable and steps.

The north and south walls vary slightly from basic house to extended house. There is a piece of vertical trim that hides this transition on the original structure.

For the extended house with shed configuration, you will have to trim the north wall to make this attachment possible. This is shown in an accompanying drawing. Also, the roof bracket on the rear end of the north wall is replaced with a long rafter tail.

Castings, Painting & Glue

With a sharp hobby knife, separate castings from flash and sprues (on the doors, windows, and vents, this includes the bit of sprue on the back of each part). This can interfere with these parts fitting into the rectangular openings in the siding.

Remember to gently clean mold release from the castings with a mild degreaser like dish washing soap. The presence of mold release will effect paint adhesion.

Lightly primer parts before painting. This normalizes the response to paint across the different materials used in the kit.

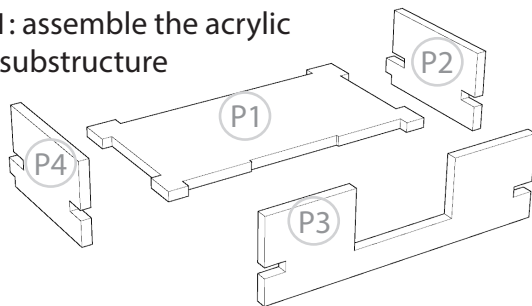
Painting parts before assembly is recommended. Your results will be cleaner.

If you are planning on using water based paints, it is essential to seal the paper parts with primer before painting to minimize and avoid warping. The parts in backing sheets can be easily painted while still attached. Separate these parts from the backing sheet during assembly and touch up paint, as needed.

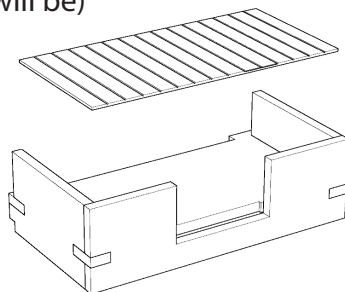
I rely on solvent cements for plastics and mostly use water based glues, whenever possible. However, aside from a recommendation to use Weldon #3 or #4 on the acrylic parts, the choice of adhesives is a matter of personal preference. Use what works for you.

Porch Assembly

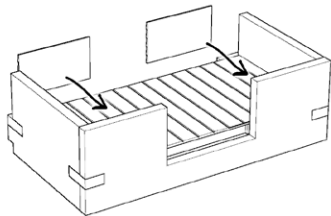
1: assemble the acrylic substructure



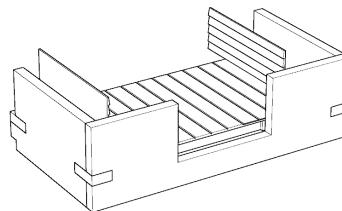
2: insert the floor against the front wall (the side where the steps will be)



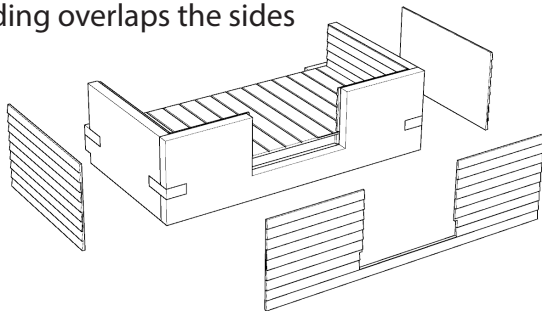
3: place the interior siding behind and against the front wall



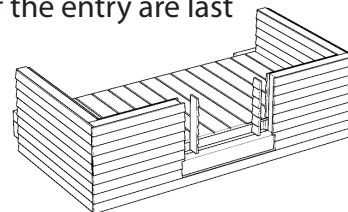
4: interior siding on the north and south walls next



5: exterior siding is flush with the front wall acrylic and the front siding overlaps the sides

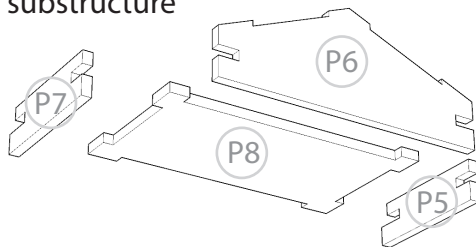


6: the small pieces at each side of the entry are last

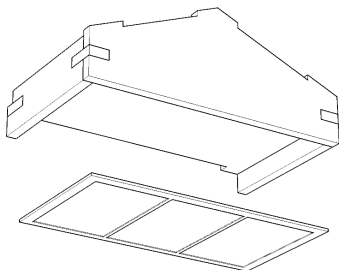


Gable Assembly

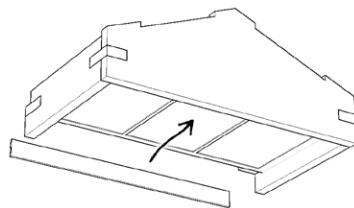
1: assemble acrylic substructure

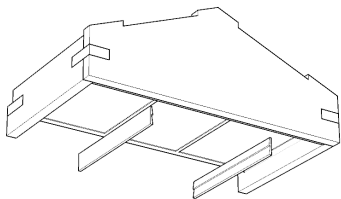


2: the ceiling goes in first against the front wall

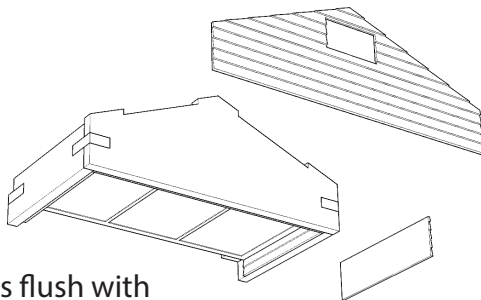
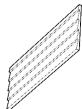


3: the interior siding behind and against the front wall



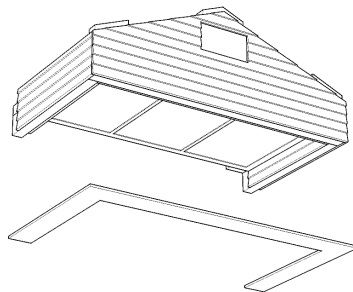


4: interior siding on the north and south walls is next



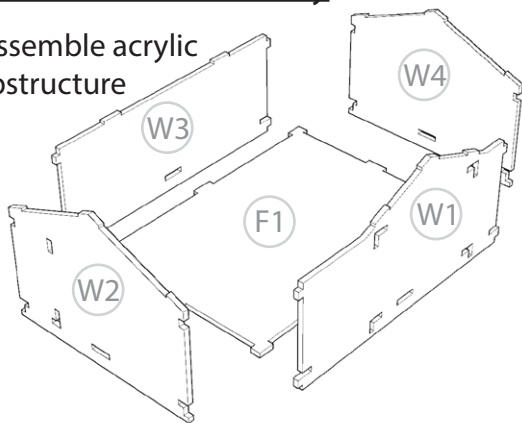
5: exterior siding is flush with the front wall acrylic and the front siding overlaps the sides

6: The horizontal gable soffit, on the bottom of the porch gable and above the posts, is centered on the internal acrylic support and will need trimming to fit against the front wall's double window below

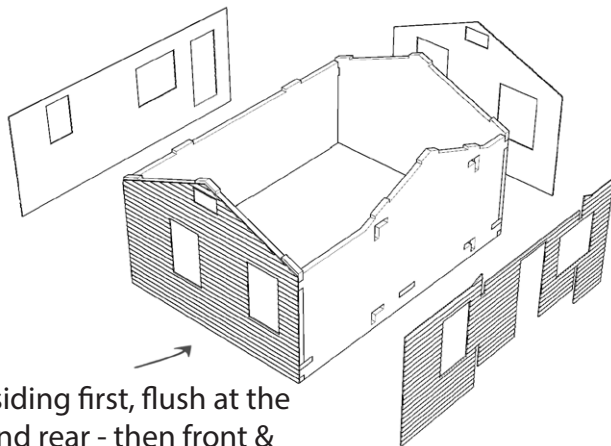


(A.) Basic House Assembly

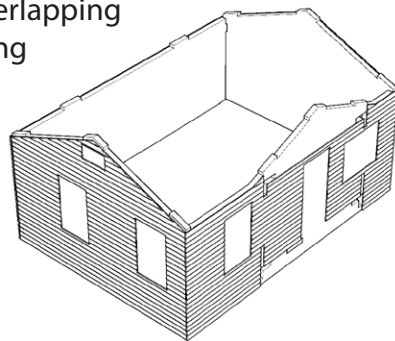
1: assemble acrylic substructure



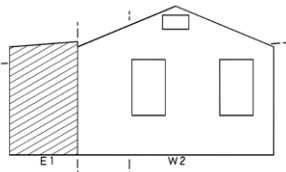
2: apply siding to the substructure



gable siding first, flush at the front and rear - then front & rear siding overlapping the gable siding



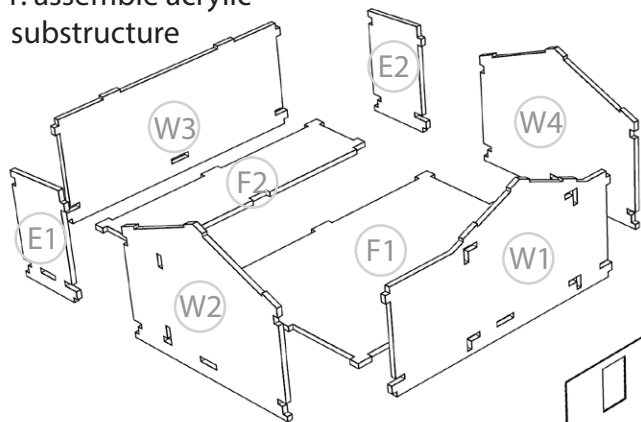
Remove this section



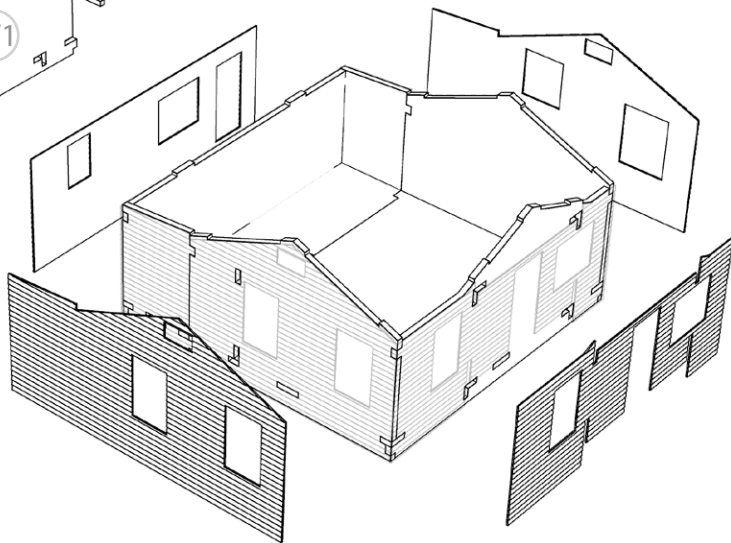
The gable siding has been laser cut to fit the extended house arrangement. Both of these gable ends will have to be trimmed at the outer score lines, to fit the basic house design.

(B.) House with Extension Assembly

1: assemble acrylic substructure

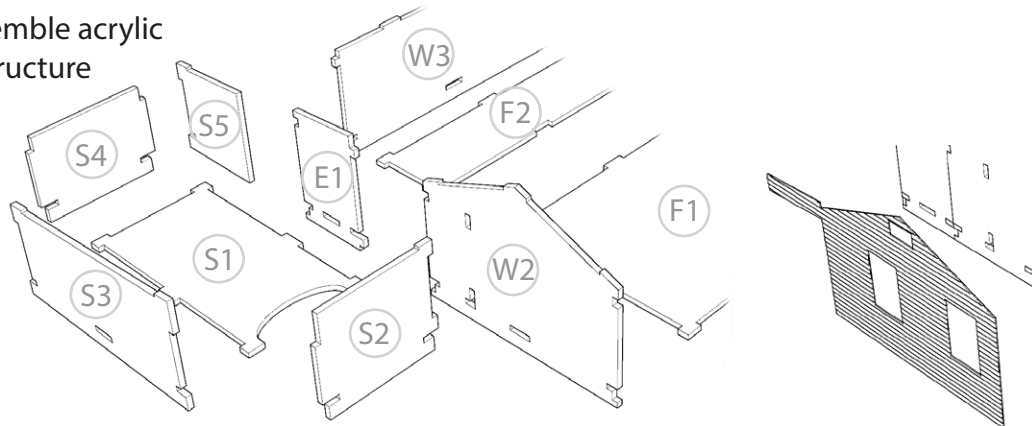


2: apply siding to the gable ends, it is flush at the front & rear - then apply the front & rear siding overlapping the gable siding



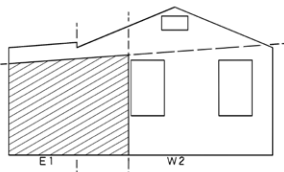
(C.) House with Extension & Shed Assembly

1: assemble acrylic substructure

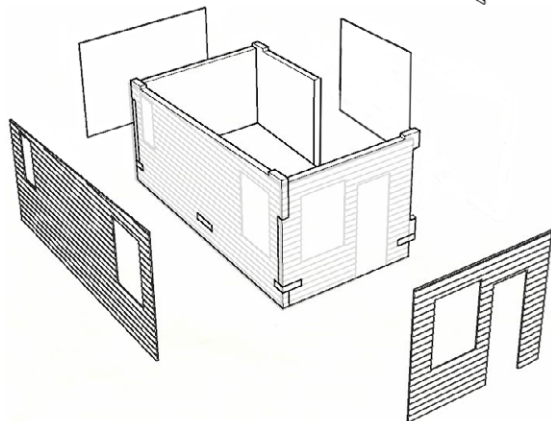


2: trim north gable siding 'W2'

Remove this section ↪

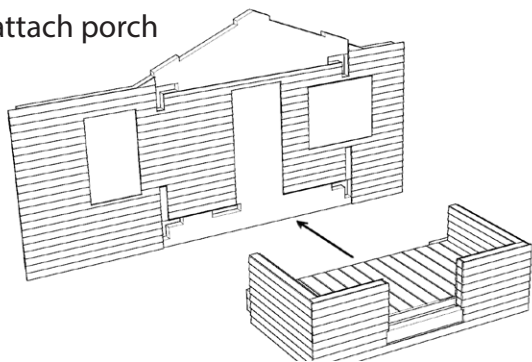


Only the north gable siding will have to be trimmed at the inner and horizontal score lines, to accommodate an attached shed.

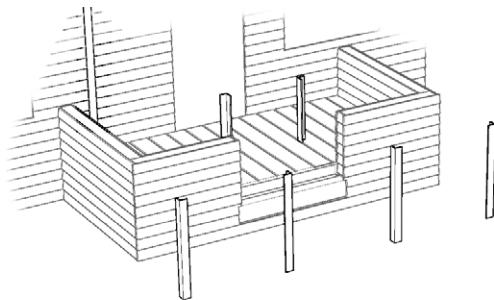


Front Wall Assembly - is the same for all versions (A.), (B.), & (C.)

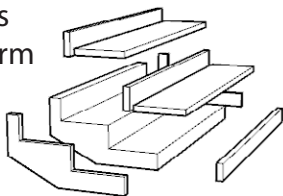
1: attach porch



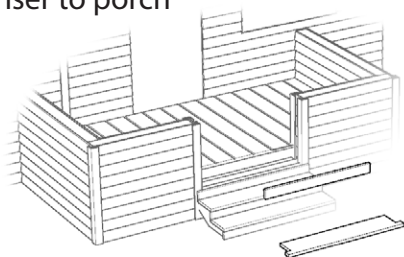
2: fit trim



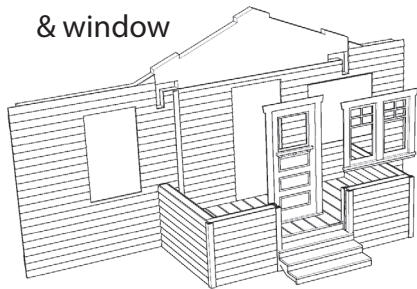
3: assemble stair,
steps & risers
on acrylic form



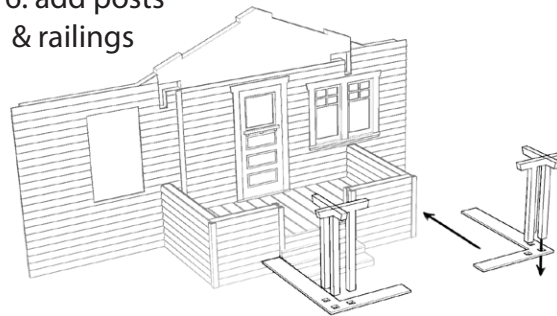
4: fit stairs, top step
& riser to porch



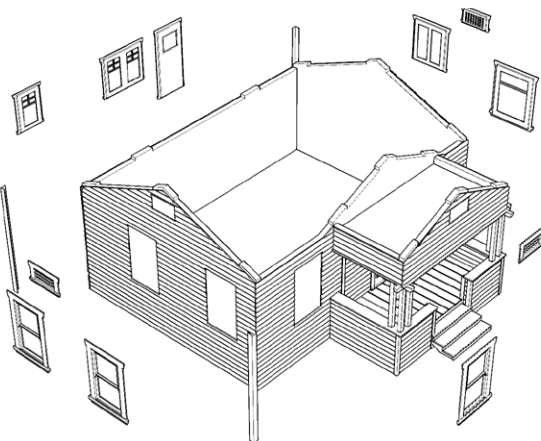
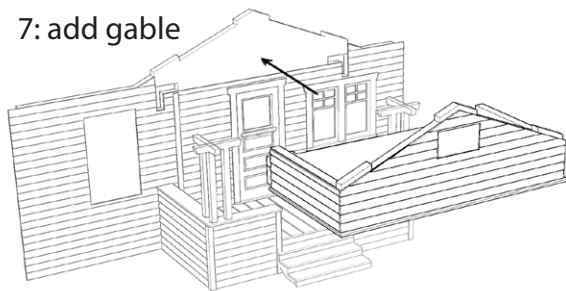
5: add door
& window



6: add posts
& railings



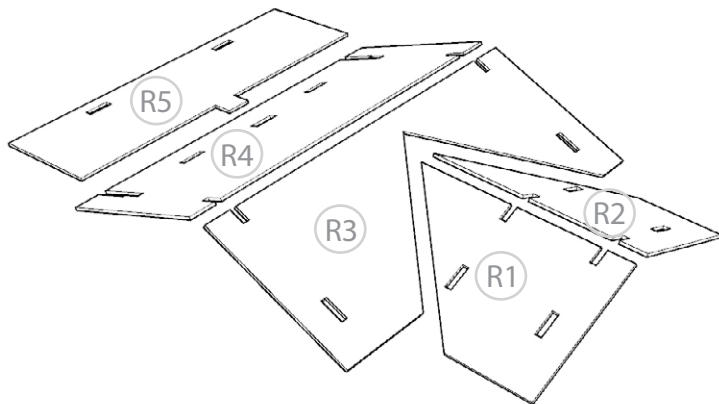
7: add gable



8: finish windows, doors, vents, & corner trim

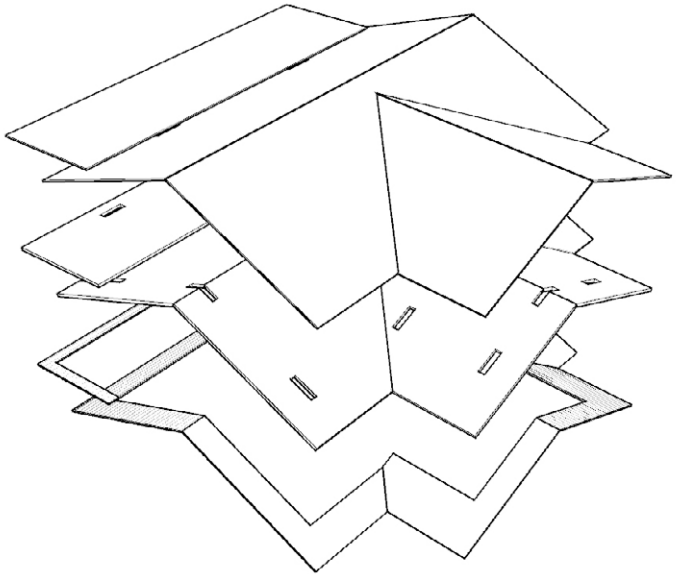
Roof Assembly - sequence is similar for all versions

- 1) Attach acrylic roof pieces to top of walls
- 2) Fit and attach soffits underneath the eaves
- 3) Fit and attach shingles on top
- 4) Trim with rafters, gable rafters, ridge shingles & brackets

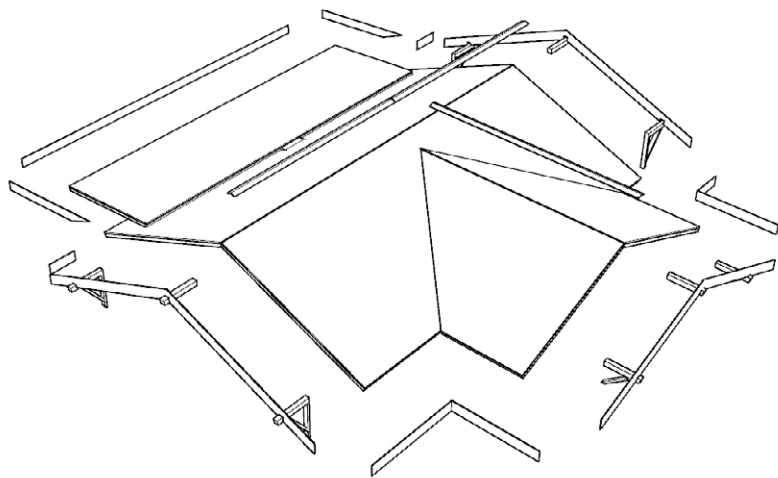


3) Fit and attach shingles on top

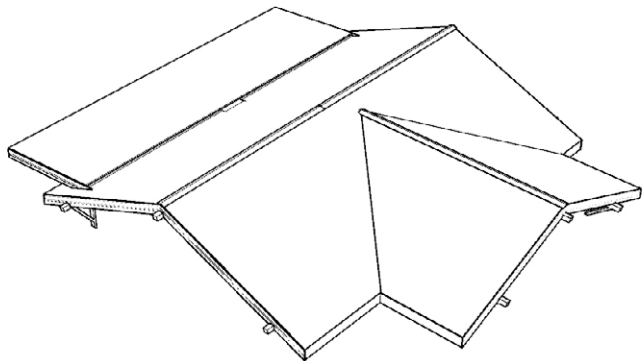
note: if you are assembling version (B) or (C), you will need to splice and fit, fill piece shingles at the bottom tails of the “R4 & R5 Rear Gable with Extension” shingle piece, as it transitions under the R5 roof extension.



2) Fit and attach soffits underneath the eaves

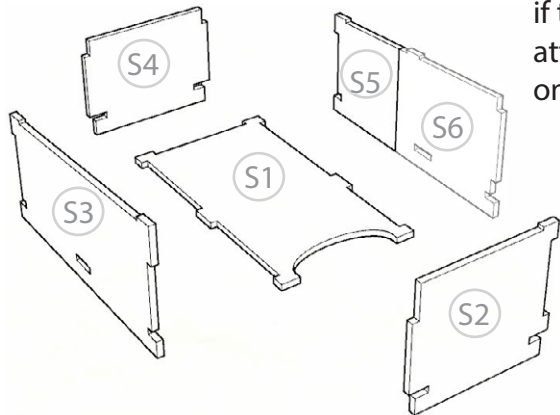


4) Trim with rafters, gable rafters,
ridge shingles & brackets



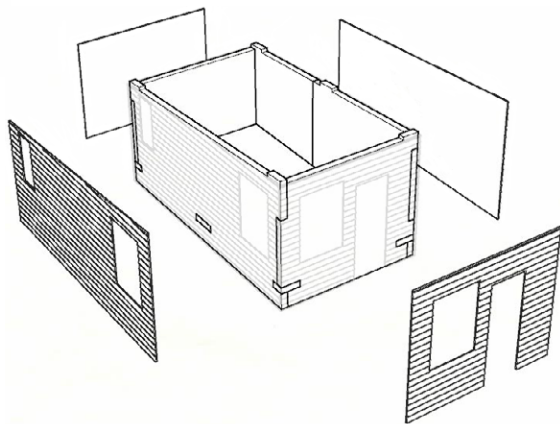
Shed Assembly (stand-alone)

1: assemble acrylic substructure

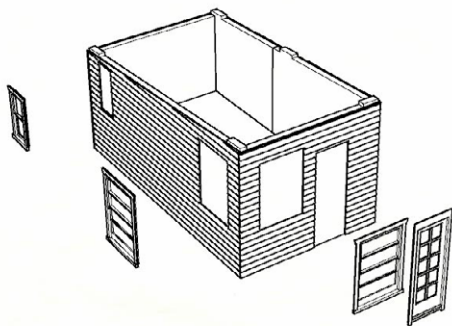


if the shed is to be attached to the house, omit acrylic part S6

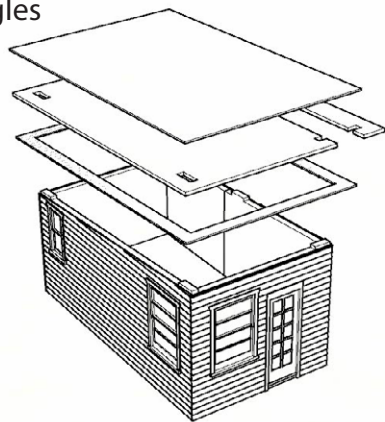
2: apply siding



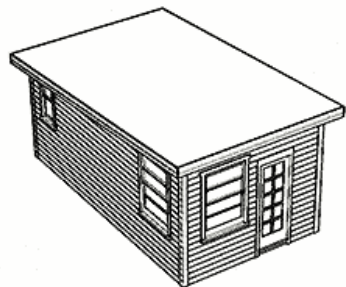
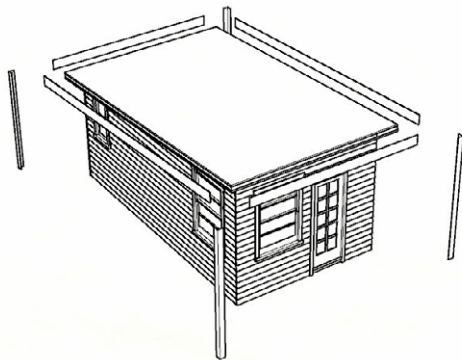
3: door & windows



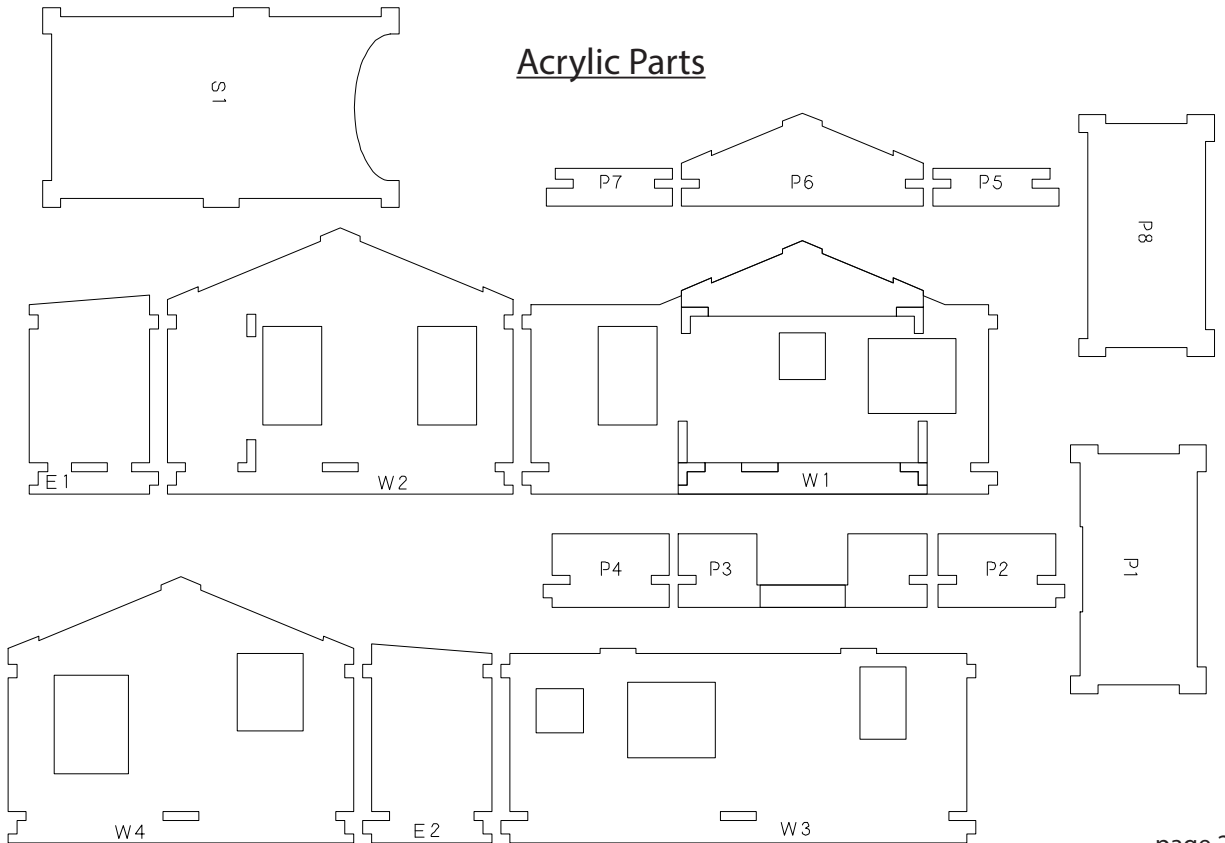
4: acrylic roof R6 & R7,
soffits & shingles



5: vertical trim & rafters



Acrylic Parts

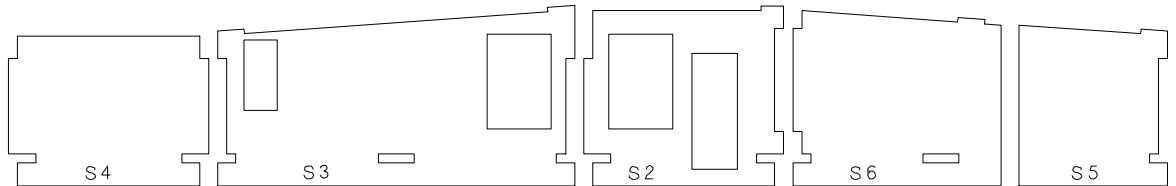
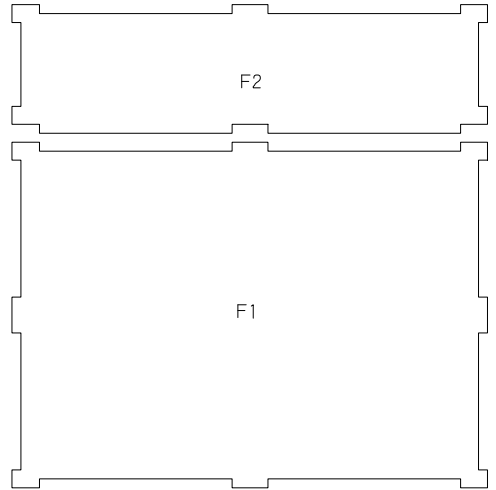
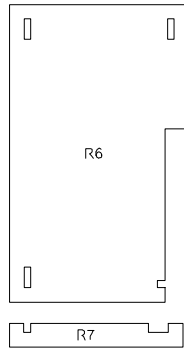
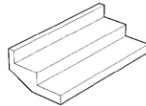
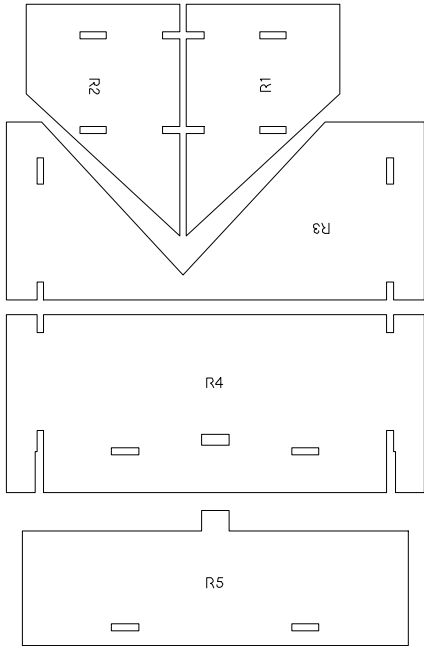


Acrylic Parts

1/16 acrylic = 22 parts

1/32 acrylic = 7 parts

& stair form



Paper Parts

Siding = 3 sheets

Soffits = 2 sheets

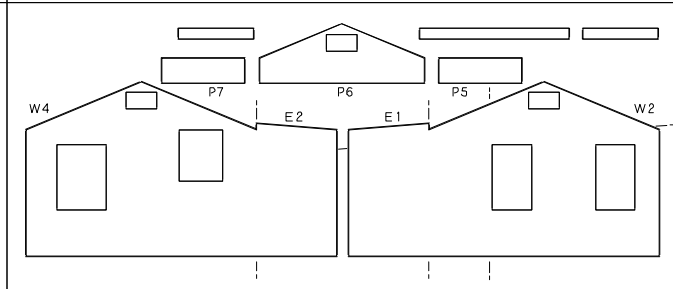
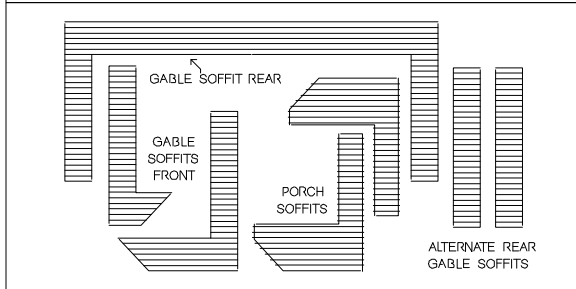
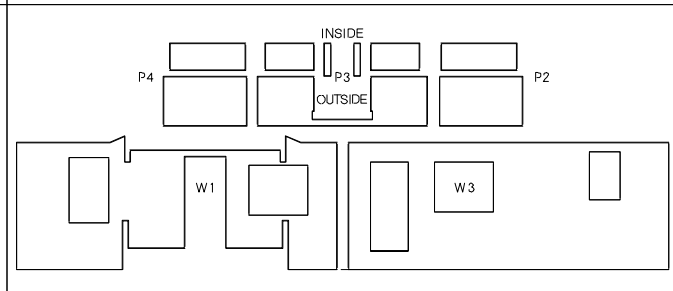
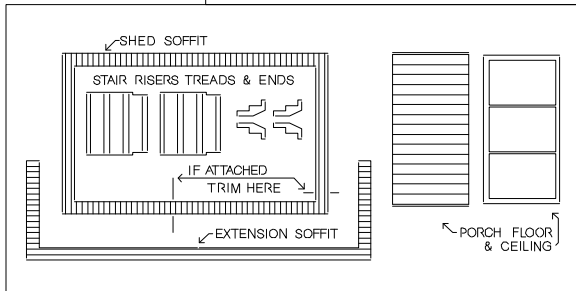
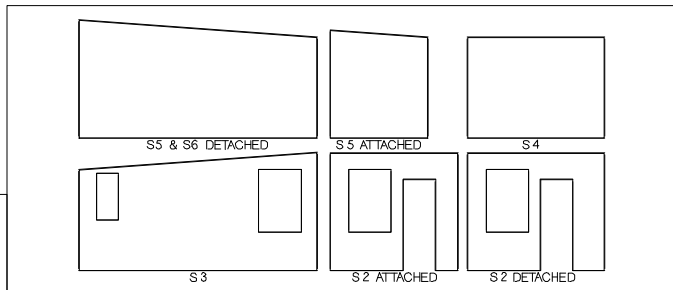
Trim = 1 sheet

& Stove Pipe
Bracket

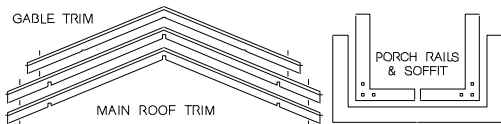
Shingles = 3 sheets

Rafters = 1 sheet

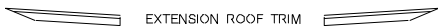
Ridge Shingles



GABLE TRIM



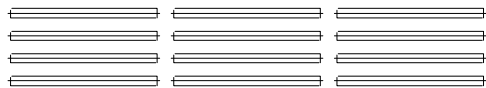
MAIN ROOF TRIM



SHED ROOF TRIM



VERTICAL TRIM (DOUBLES OF EACH)

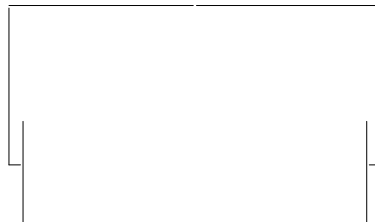
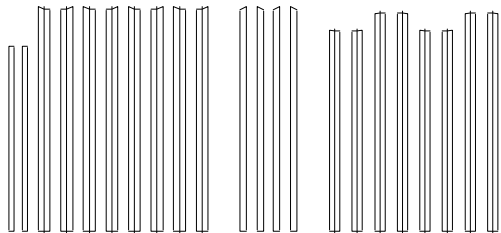


PORCH

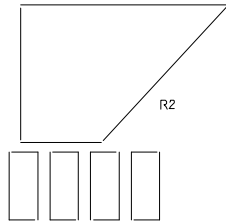
MAIN HOUSE

EXTENSION

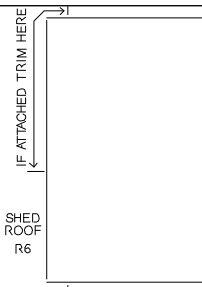
SHED



R4 & R5 REAR GABLE WITH EXTENSION



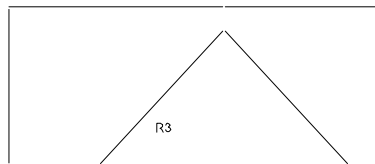
PLUS FILL PIECES



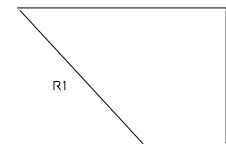
SHED ROOF R6



R4 SIMPLE REAR GABLE



R3



R1

Detail Parts

Castings Total = 19:

Windows = 11

Doors = 3

Vents = 3

& Gas Meter = 1

Electrical Box = 1

Other Small Parts

Acrylic Dome for
Electrical Box = 3

.020" Music Wire for
Gas Meter Pipes 4"

Styrene Parts and Sub-Assemblies:

Large Roof Brackets = 4
& Large Rafter Tails = 3

Small Roof Brackets = 2
& Small Rafter Tail = 1

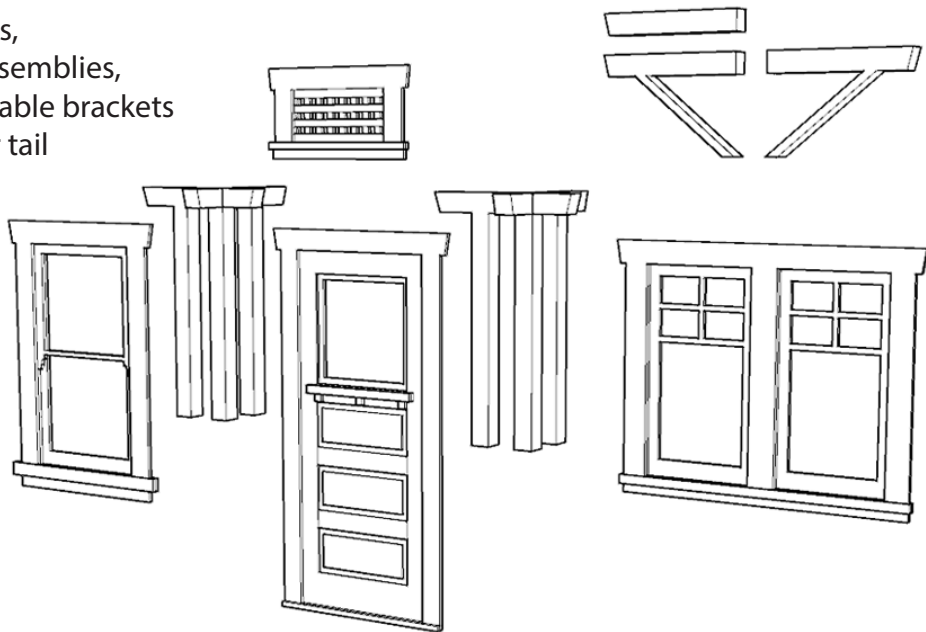
Porch Posts = 2

Waste Pipe = 1
& Rings = 2

Stove Pipe = 1
& Cap = 1

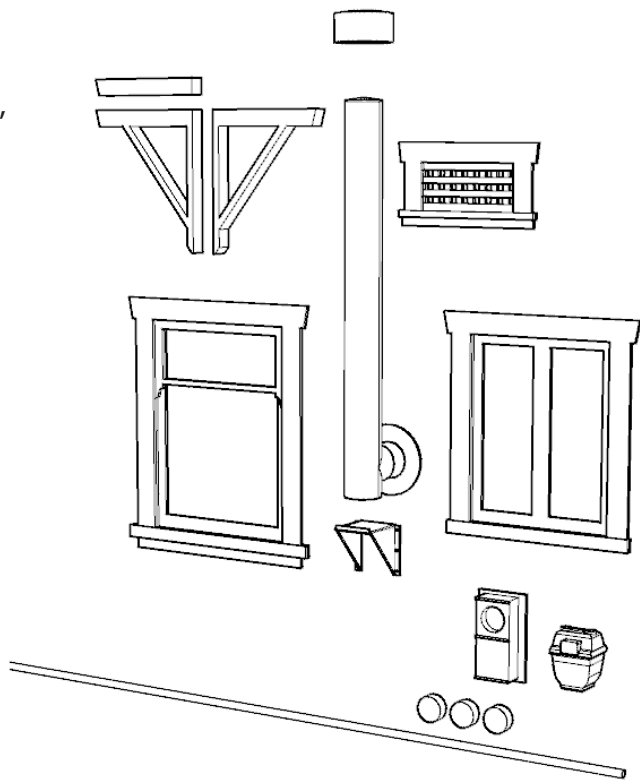
Detail Parts: Front - West Wall

4 castings,
2 post assemblies,
2 small gable brackets
& a rafter tail



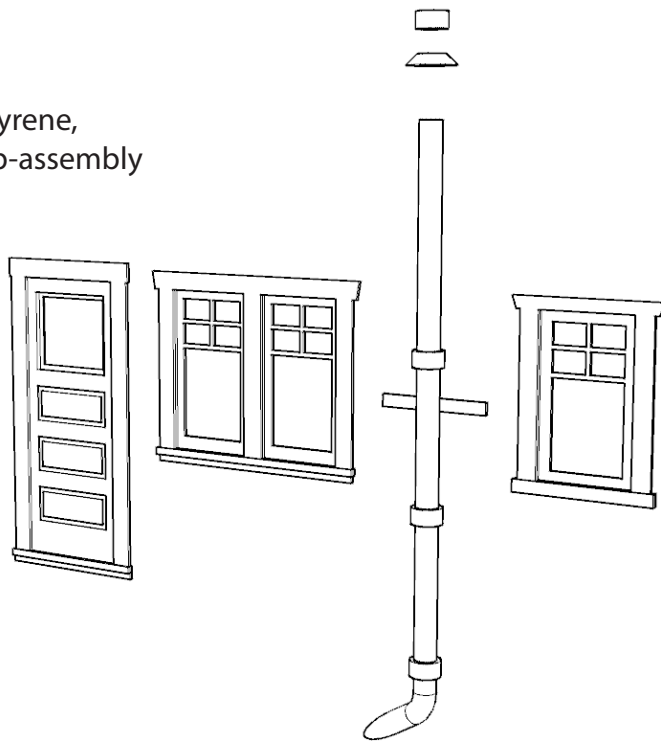
Detail Parts: South Wall

5 castings - including electrical box & gas main, electrical box domes & music wire for gas main, styrene stove pipe with paper bracket and ring, 2 large gable brackets & rafter tail

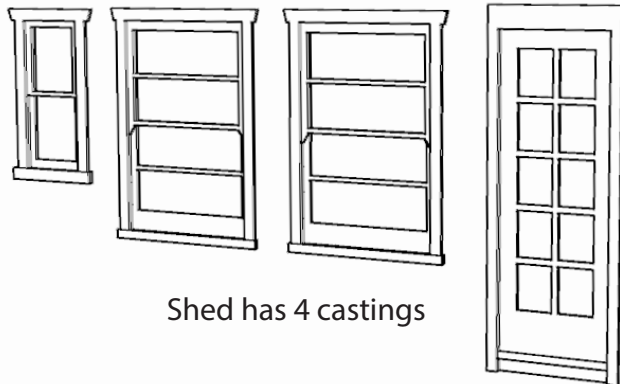
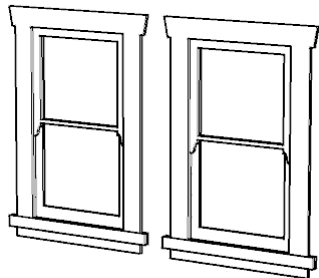
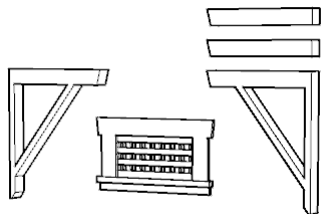


Detail Parts: Rear -
East Wall

3 castings & styrene,
waste pipe sub-assembly



Detail Parts: Shed & North Wall



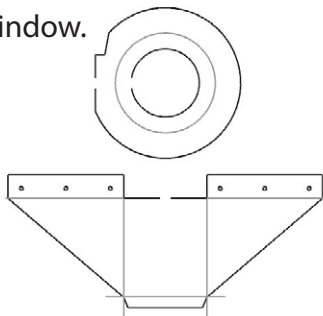
Shed has 4 castings

North wall has 3 castings,
2 large gable brackets, &
2 rafter tails

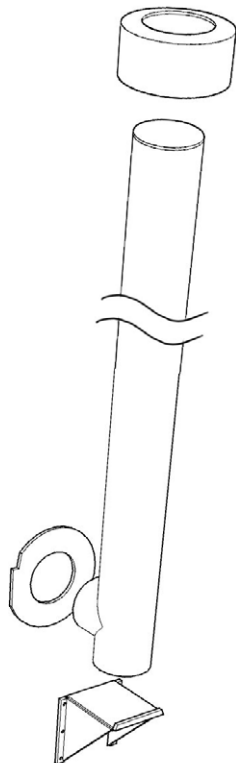
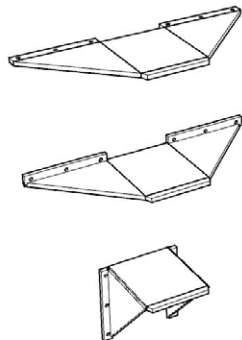
(if shed is attached to main house
the additional rafter tail is used in
place of one large bracket)

Stove Pipe & Bracket Assembly

Ring fits against window.



Bend bracket at score lines



Locate and drill a .100" diameter hole through roof for stove pipe.

Remove cap and slide pipe through hole.

Re-attach cap.

"T" section of pipe fits into ring.

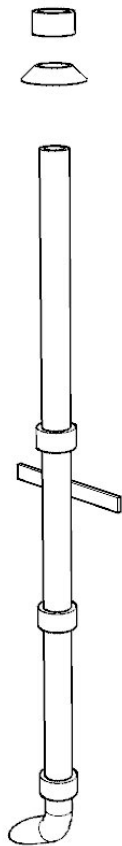
Attach folded bracket at bottom.

Waste Pipe Assembly

Locate and drill a
.062" diameter hole
through roof for
waste pipe.

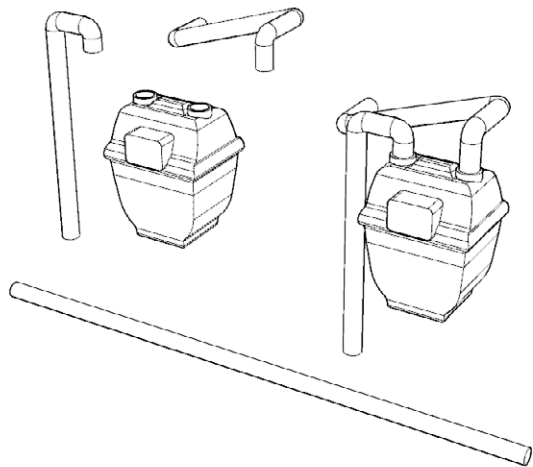
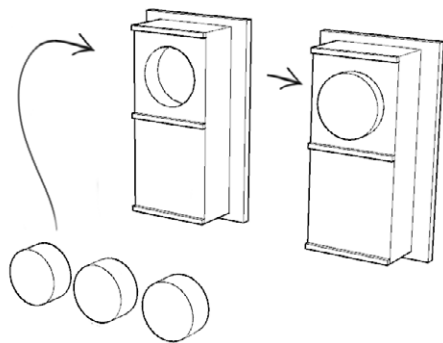
Remove upper flange and
intersection ring. Slide
pipe through hole.

Re-attach flange and
intersection ring.



Electrical Box & Gas Main Assembly

A clear acrylic dome fits into the electrical box casting



Drill .020 inch holes in the top of the gas main casting
Bend and insert .020 music wire into holes for piping